

# PaintLine™



## Save Time, Space, and Effort

Professional cabinet drying racks, spray booths, and spray systems.

[PaintLine.com](http://PaintLine.com)

# Our Story



<b>Drying &amp; Material Racks</b>	<b>03-16</b>
<b>Spray &amp; Dry Series</b>	<b>17-22</b>
<b>Spray Stations</b>	<b>23-30</b>
<b>Accessories</b>	<b>31-36</b>

---

Since the 1990s, PaintLine has been a leader in delivering innovative, practical, and cost-effective solutions for drying racks, spray stands, and other process-oriented needs. Serving commercial painters, cabinet makers, millwork shops, residential remodelers, and DIY enthusiasts alike, PaintLine has earned a reputation for excellence. As a brand of Merchandising Systems Inc., a pioneer in metal fabrication for material handling and retail store fixtures for over fifty years, PaintLine upholds a commitment to quality and reliability all the same.

Our products are thoughtfully engineered for convenience and durability, enhancing workflow efficiency in the commercial paint, woodworking, and cabinetry industries. Whether you're a seasoned professional or a passionate hobbyist, our high-quality offerings are designed to boost your productivity and precision. Explore our extensive range of drying racks, spray systems, and booths to find premium solutions for all your painting, woodworking, and finishing needs.



CEO, Kyle Robinson

# Drying & Material

PDRKD



**ProDryingRack™ KD**

**ProDryingRack TT™**

**ProDryingRack EX™ & Plus Series**

**ProDryingRack TR™ & Handtruck**

**Pro Face Frame & Door Mover** **NEW**

PD

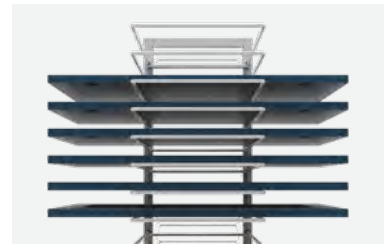
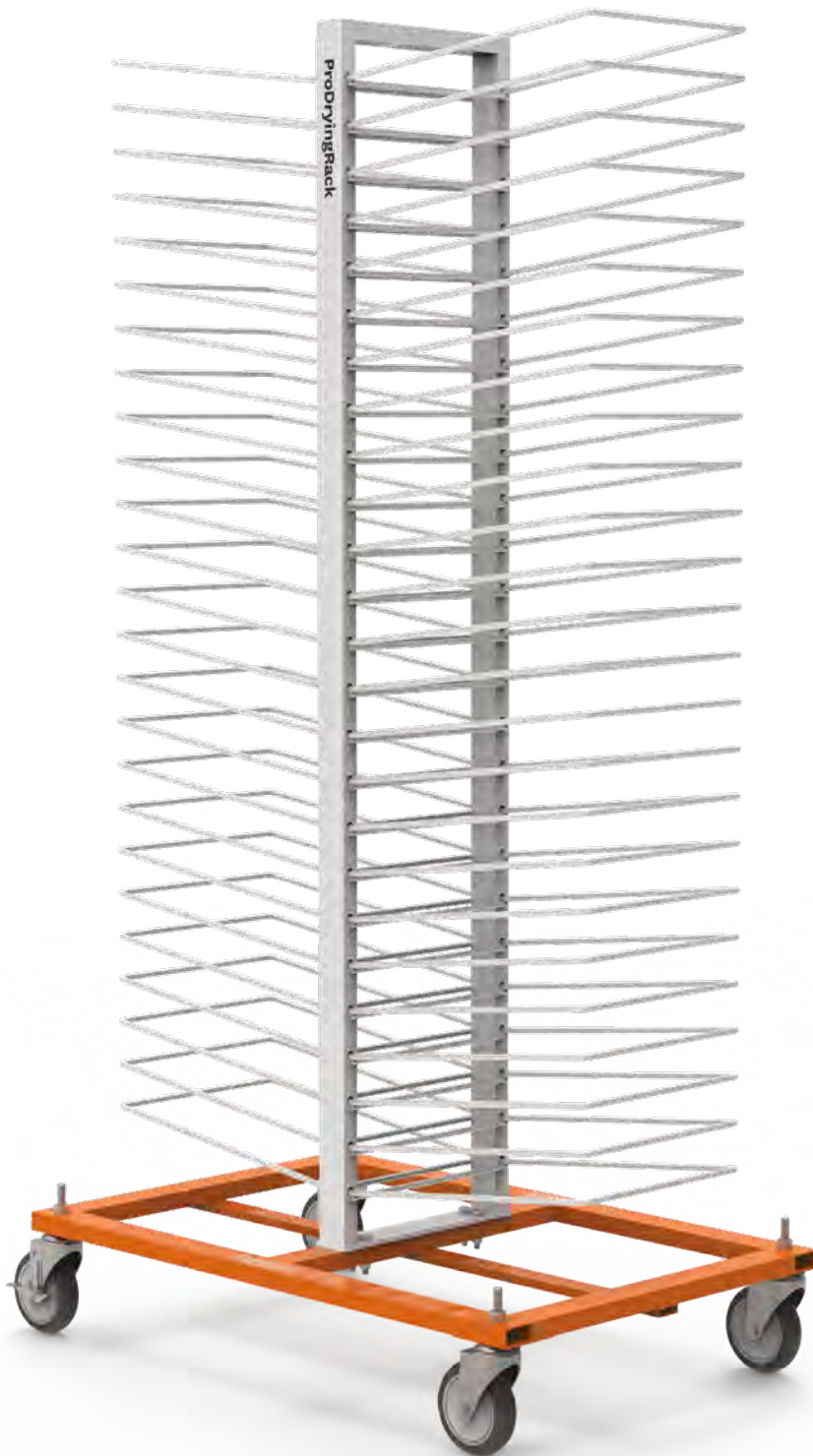
# Racks



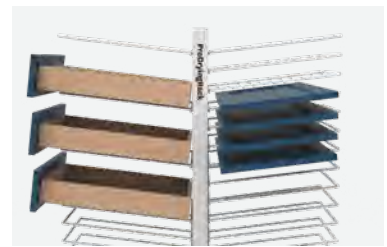
Streamline your workflow with our robust drying and material handling racks, expertly crafted for drying doors and other components. Perfect for the painting, woodworking, and cabinetry industries, these racks combine durability and versatility to help you maintain an organized, efficient workspace. Built from premium materials, they deliver reliable support to elevate your productivity.

# ProDryingRack™ KD

## 50-Shelf Mobile Drying Rack



Horizontal Drying



Customizable Racks



Fully Maneuverable

### Other notable features:

- Quick & easy assembly
- Disassembles for storage or transport

PDRKD - MSRP: \$628

### Most often purchased with:

Shelf Spikes or Felts & SprayTwirly

Learn more  
about PDRKD

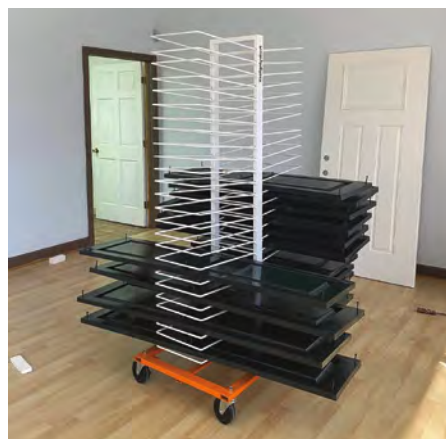
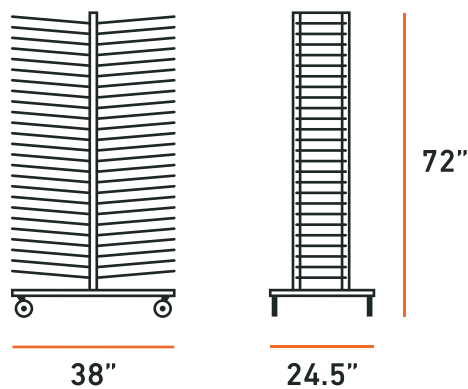


## Space Saving Workhorse for Shop or Jobsite

Maximize efficiency with our premium rack, holding up to 50 cabinet doors while condensing over 200 sq. ft. of storage into just 6.5 sq. ft. of floor space. The PDRKD features sturdy 18" x 13" shelves, each supporting up to 25 lbs, and gliding smoothly on 5" locking casters. Each removable shelf has 2.5 inches of clearance. Add optional Shelf Spikes or Felts to reduce contact with painted or finished parts.

### What's Included:

- (50) Wire Shelves
- (1) Main Tower Frame
- (1) Metal Base
- (4) 5" Polyurethane Casters (2 locking)

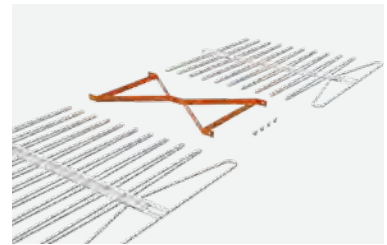


# ProDryingRack TT™

## 20-Shelf Drying Rack



Horizontal Drying



Portable Design

### Other notable features:

- Quick & easy assembly
- Disassembles for storage or transport



PDRTT - MSRP: \$239

### Most often purchased with:

ProDryingRack TT Base with Wheels & SprayTwirly

Learn more  
about PDRTT



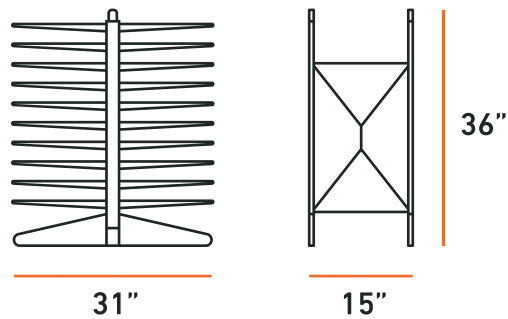


## Tabletop Rack for Smaller Spaces and Long Parts

The PDRTT holds up to 20 cabinet doors and fits conveniently on a counter, table, or floor to optimize your workspace. Designed for easy assembly and disassembly, it uses just four wing nuts for quick setup, storage, and transport—no tools needed. Multiple units can be combined to support longer items such as baseboards or molding, providing versatile functionality in a compact design.

### What's Included:

- (2) White Side Shelves
- (1) Orange Frame
- (4) Wing Nuts



# ProDryingRack EX™

Expandable Mobile Drying Rack



Horizontal Drying



Customizable Racks



Heavy-Duty Build

## Other notable features:

- Fully maneuverable
- Easily expands and contracts

Most often purchased with:

Shelf Sleeves & T-Locks

PDREX - MSRP: \$865

Learn more  
about PDREX

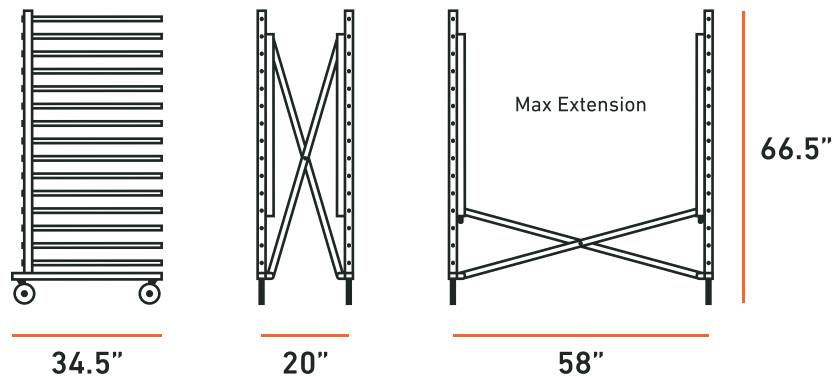


## Expandable Mobile Rack with Heavy-Duty Capabilities

This robust, expandable rack adjusts from 20" to nearly 60" wide to accommodate larger project pieces. Each of its 15 levels supports up to 60 lbs, with 1" diameter, 30" removable tubes that lock securely in place with a simple turn—no tools needed. Optional shelf locks provide added security. Back-mounted clamp levers make expansion and contraction quick and effortless, while 5" locking casters ensure smooth, safe mobility. Constructed entirely of powder-coated metal, this rack is built for durability and convenience.

### What's Included:

- (30) Round Shelving Tubes
- (2) Main Towers
- (2) Base Legs with Support Plates
- (4) Caster Wheels (2 locking)



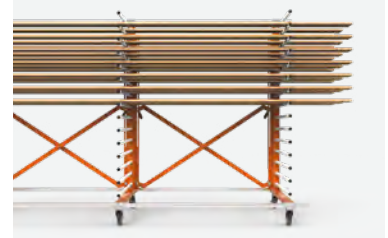
# PDREX Plus Series

## Heavy-Duty Expandable Drying Rack Series

PDREX4



PDREX3



Horizontal Drying



Customizable Racks



Heavy-Duty Build

### Other notable features:

- Fully maneuverable
- 1,350 lbs capacity (EX3)
- 1,800 lbs capacity (EX4)

PDREX3 - MSRP: \$1,548

PDREX4 - MSRP: \$2,106

Most often purchased with:

Shelf Sleeves & T-Locks

Learn more  
about PDREX  
Plus Series



## Additional Expanding Capabilities for PDREX

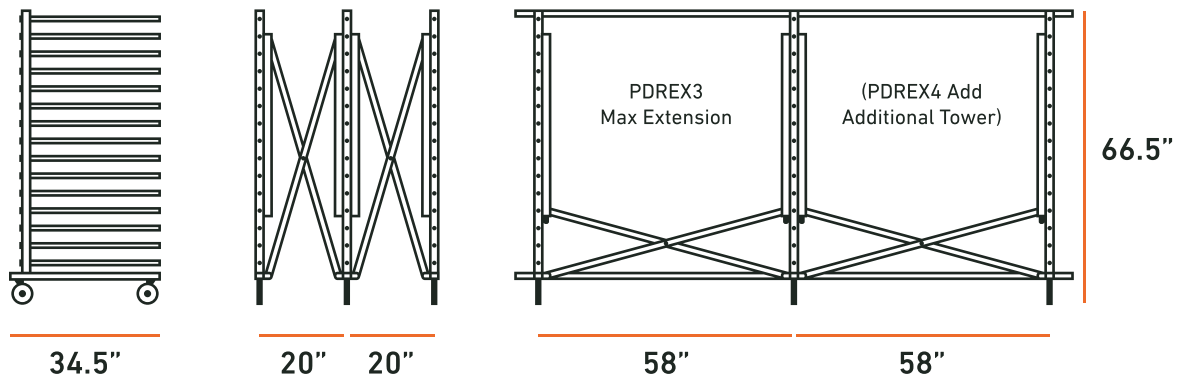
The ProDryingRack EX Plus Series is a versatile, heavy-duty drying rack configurable with three or four towers, each featuring 15 removable round shelving tubes. Built on the expandable two-tower PDREX base, the Plus Series adds extra capacity and functionality. Each tower is equipped with 5" heavy-duty locking casters and anti-torque stabilizers, allowing the rack to roll smoothly and securely to any shop area, even when fully loaded.

### PDREX3, includes:

- (45) Round Shelving Tubes
- (3) Main Towers
- (3) Base Legs with Support Plates
- (6) Caster Wheels (3 locking)

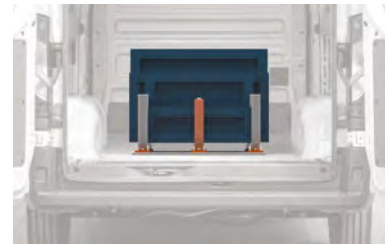
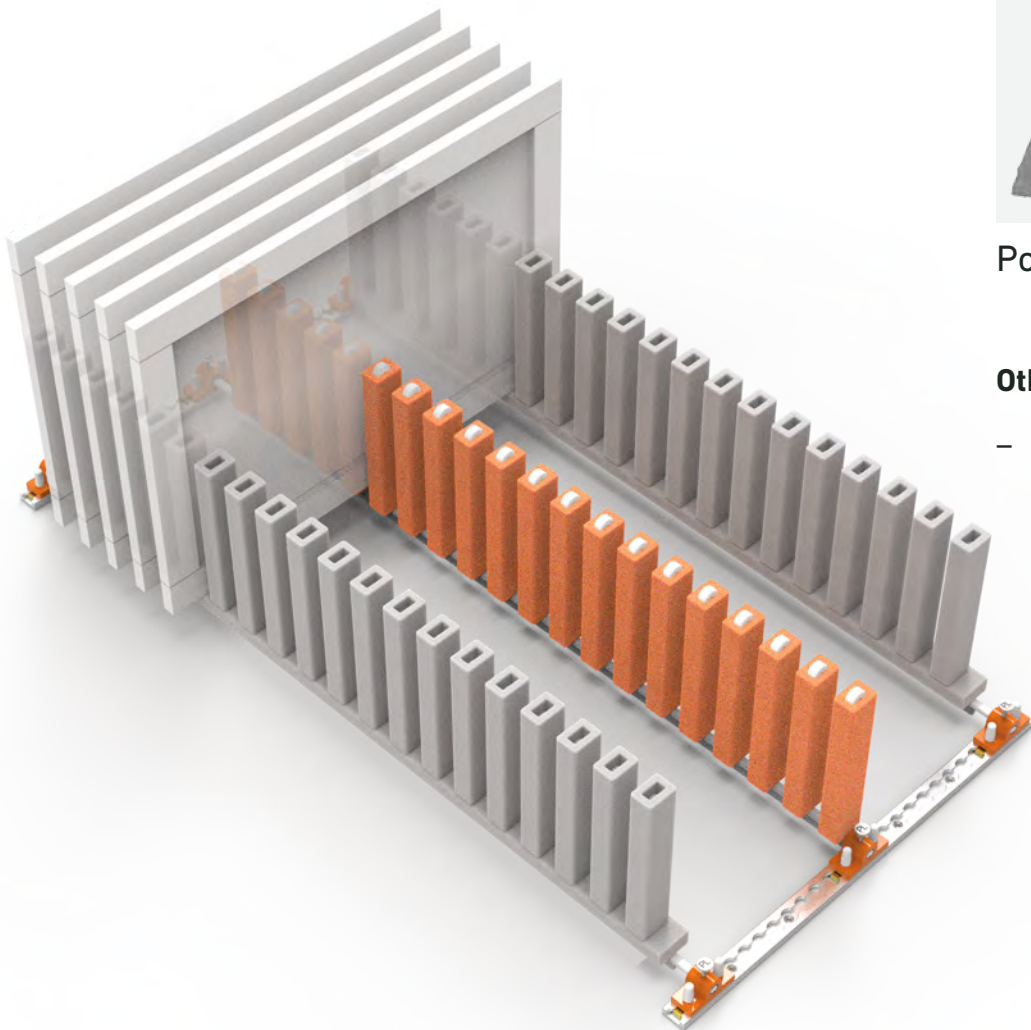
### PDREX4, includes:

- (60) Round Shelving Tubes
- (4) Main Towers
- (4) Base Legs with Support Plates
- (8) Caster Wheels (4 locking)



# ProDryingRack™ TR

## Cabinet Transportation Rack



Safely Transport



Portable Design

### Other notable features:

- Folds flat for storage

### Most often purchased with:

ProDryingRack Transport Handtruck (PDRTR.HT)

PDRTR - MSRP: \$530  
PDRTR + Handtruck - MSRP: \$775

Learn more  
about PDRTR

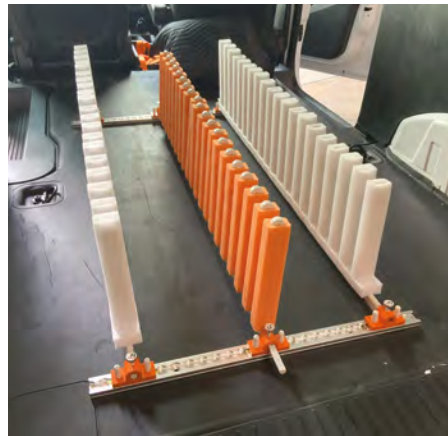
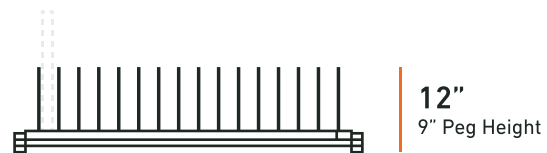
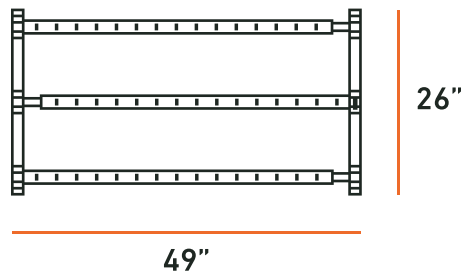


## Transport Finished Cabinet Doors Safely and Easily

The PDRTR ensures secure and convenient transport of finished cabinet parts from your workshop to the job site. Its sturdy frame with foldable arms holds parts firmly in place, while only expanded polyethylene (EPE) foam makes contact. Mount the PDRTR into your work vehicle using the standard L-Track cargo tie down systems, and add our specialized Handtruck for even easier transport.

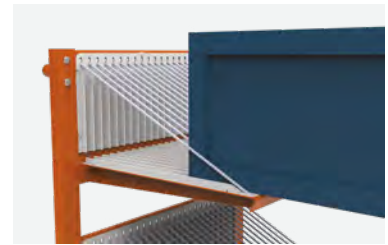
### What's included:

- (2) Stationary Arms
- (1) Moveable Arm
- (2) L-Tracks (24")
- (6) L-Track to Arm Connectors
- (6) Threaded Lockdown Studs
- (12) Nylon Quick Release Caps



# Pro Face Frame & Door Mover

Customizable Transportation Rack



Fast & Secure Loading



Customizable System



High Capacity

#### Other notable features:

- Easily cleanable
- Patent-pending divider system

PFFDM - MSRP: \$483

PFFDM.SHLF - MSRP: \$186

Learn more  
about PFFDM



NEW FOR 2025



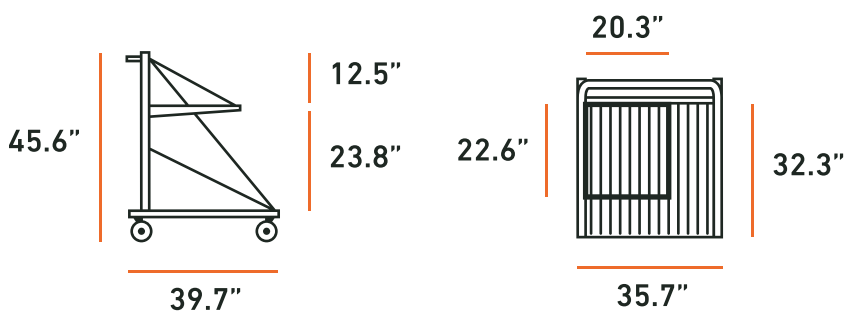
## Protect and Move Cabinets with Confidence

The Pro Face Frame & Door Mover (PFFDM) is the ultimate solution for safely transporting cabinet doors, panels, and face frames. Its innovative slot-and-rod divider system uses slotted trays and fiberglass rods to securely separate pieces, preventing damage and ensuring easy placement. Non-marring, easy to clean, and fully configurable, it's built to handle the demands of your shop.

Start with the base model, holding up to 25 doors, or upgrade with optional top shelves to double capacity to 50 doors across two levels. Heavy-duty 5" polyurethane casters make it effortless to roll, even when fully loaded, giving you unmatched versatility and efficiency.

### What's included:

- (1) Powder-coated Steel Frame
- (4) Locking Caster Wheels
- (3) Paint-resistant HDPE Plastic Trays
- Optional Top Shelves
- (26) Fiberglass Rods



# Spray & Dry Series

P



PSDR

**ProDryingRack SD™**

**Interior Door Spray & Dry Series**

# SDRID

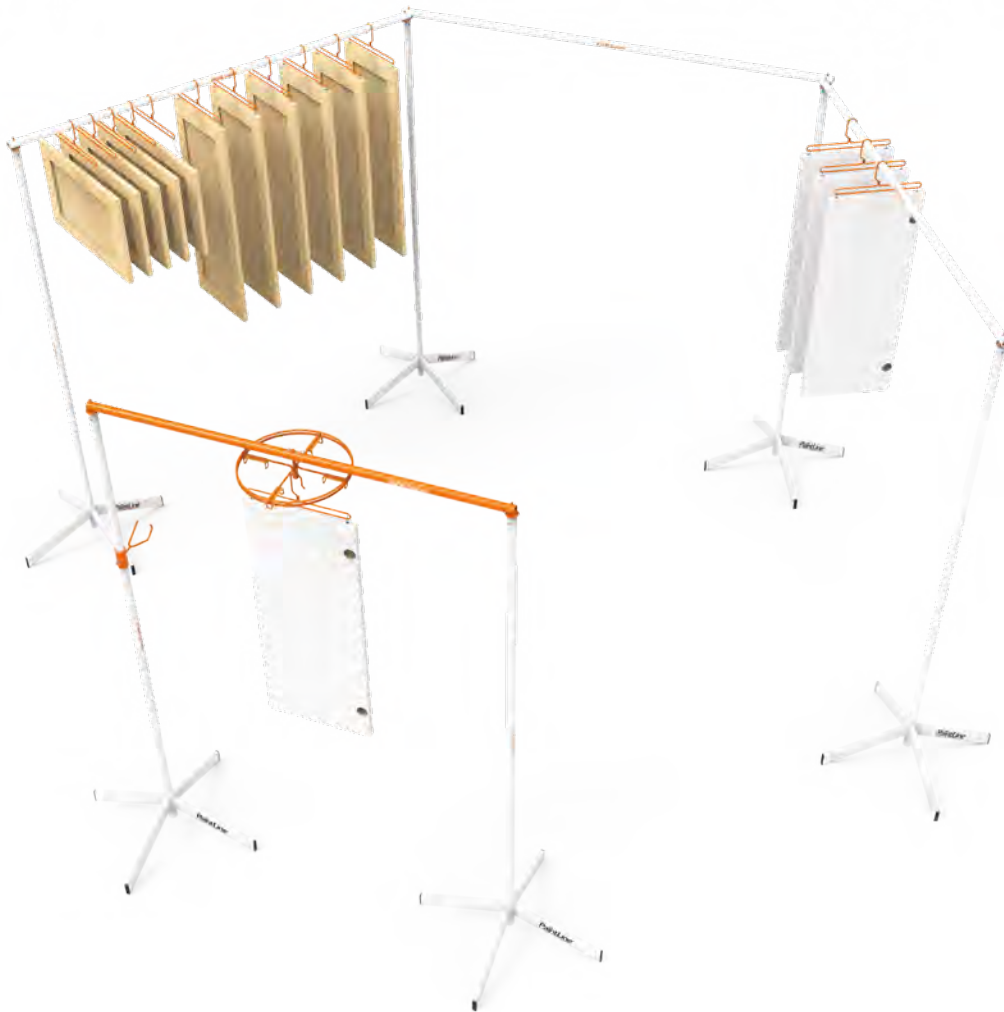


---

Revolutionize your finishing process with our Spray & Dry Series, designed to optimize painting and drying workflows. Engineered for single-operator use, these innovative systems allow you to paint and dry cabinet or interior doors vertically from a stationary position. With a focus on efficiency, ease of use, and portability, these products are essential for any professional operation.

# ProDryingRack SD™

Vertical Cabinet Door Painting & Drying System



Vertical Spraying



360° Rotating



Customizable System

#### Other notable features:

- Quick & easy assembly
- Disassembles for storage or transport
- Convenient carry bags

#### Most often purchased with:

Wave Hangers, Premium Hinge Hooks,  
& Portable Jobsite Spray Booth

PSDR - MSRP: \$684

Learn more  
about PSDR

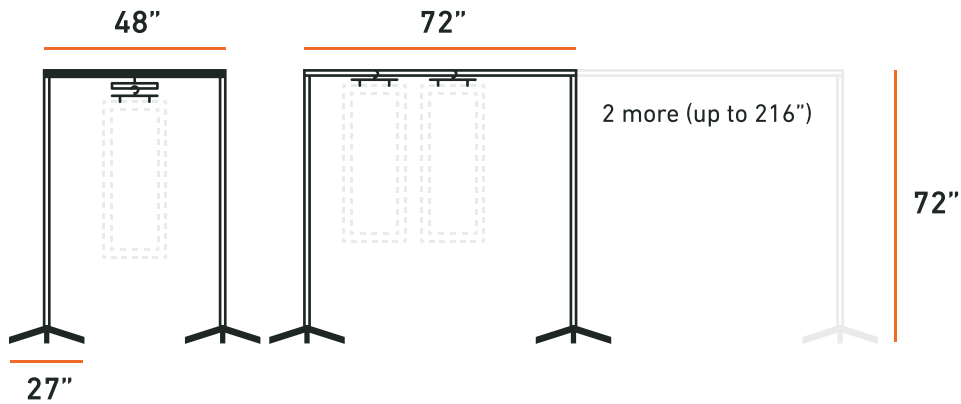


## Maximize Your Space, Minimize Your Effort

The PSDR offers an efficient solution for painting and drying cabinet doors in limited space. The Spinner+ rotates doors for effortless spraying on all sides, while the 18' drying line accommodates up to 50 doors in a compact layout. Hang doors using standard cup hooks or opt for our Hinge Hooks to keep surfaces unmarred. Customize the drying line with 12" Height Extenders or 2nd Tier Connectors to fit your workspace. Setup takes just minutes without tools, and the system disassembles into ballistic nylon bags for easy storage and transport.

### What's included:

- (9) Poles, (6) bases, & spray bar
- (50) Standard Hangers (12" long)
- (100) Cup-hooks
- (1) Spinner+ (dowels not included)
- (1) Spray gun holder
- (3) Carry bags

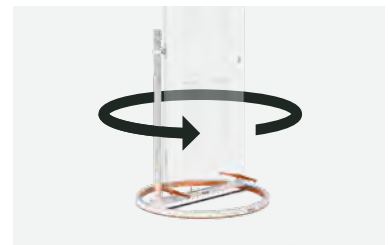


# Interior Door Spray & Dry Series

Vertical Door Painting & Drying System



Vertical Spraying



Hands-free Rotation



Custom Hand Grips

#### Other notable features:

- Quick & easy assembly
- Disassembles for storage or transport
- Convenient carry bags

#### Most often purchased with:

10-Door Add-On Packages, Overspray Guards,  
& Portable Jobsite Spray Booth XL

PSDRID - MSRP: \$976

Learn more  
about PSDRID

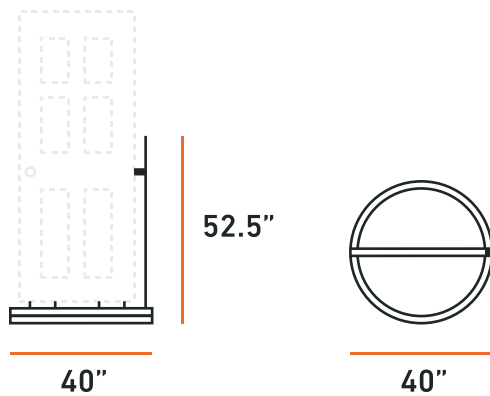


## Efficiently Paint Interior Doors in a Compact Space

The PSDRID enables a single operator to paint and dry numerous full-sized doors efficiently. Its foot-operated turntable rotates doors on spikes, ensuring thorough spraying from all sides. Custom VClips stabilize doors at the hinge pocket, while hand grips make it easy to lift wet doors and transfer them to the drying area. Heavy-duty plastic bases, secured with wood screws, allow doors to stand independently and nest closely, minimizing drying space. Designed to handle up to 20 doors, with optional add-ons available for larger projects.

### What's included:

- (1) Turntable and Door Support Arm
- (20) VClips with screws
- (40) Door Supports with screws
- (1) Hand Grip Set
- (1) Overspray Guard Set
- (2) Carry bags



# Spray Stations



SPTTY

**Portable Jobsite Spray Booth™ & PJSB XL**

**SprayTwirly™ & SprayTwirlyHD**

**NEW**





---

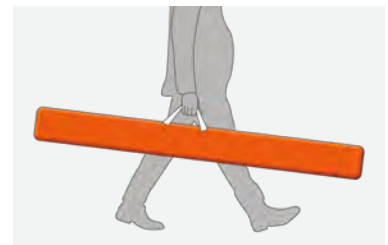
Simplify your painting process with our Spray Stations, featuring portable spray booths and rotating spray tables tailored for single operators. Designed for quick setup and effortless cleanup, these compact yet powerful tools maximize space efficiency without sacrificing performance, saving you time and effort with every use.

# Portable Jobsite Spray Booth™ & PJSB XL

Self-Contained Portable Spray Booth



Self-Contained



Portable Design

#### Other notable features:

- Quick & easy assembly
- Disassembles for storage or transport
- Heavy-duty carry bag

PJSB Single - MSRP: \$863

PJSB XL Single - MSRP: \$1,022

Pro Bundle - MSRP: \$1,348

XL Pro Bundle - MSRP: \$1,641

Blower Bundle - MSRP: \$2,596

XL Blower Bundle - MSRP: \$2,888

#### Most often purchased with:

ProDryingRack SD, SprayTwirly,  
& Interior Door Spray and Dry Series

Learn more  
about PJSB  
& PJSB XL



## Portable Spray Booth Ready for Every Project

The PJSB is a lightweight, open-faced paint booth perfect for indoor job sites or workshops, offering an affordable and portable solution for spray painting, finishing, sanding, routing, and more. Its collapsible aluminum frame and disposable plastic liners effectively contain particulates and protect your workspace. Available in two sizes—standard 80" square and an XL version with 14.5" vertical extenders—it includes bundle options to suit your workflow.

Designed for use with non-flammable, non-combustible paints and solvents, the PJSB requires proper ventilation, and wearing a respirator is recommended during use.

### Bundle Options Available

#### PJSB Single, includes:

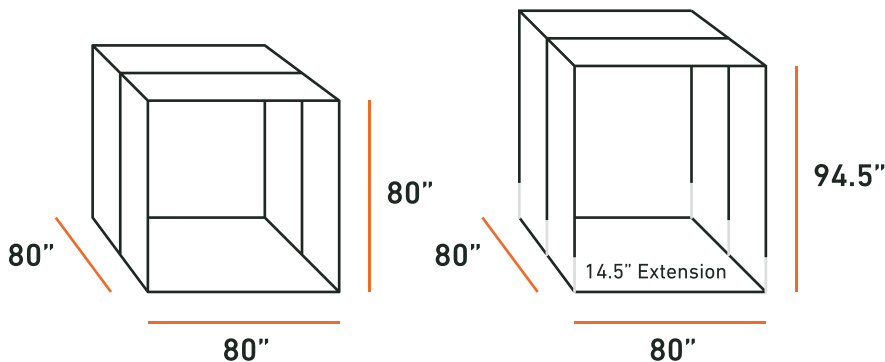
- (1) PJSB Frame & carry bag
- (3) Disposable Liners (Standard size)
- XL size: PJSB XL Extension Set & (3) XL Disposable Liners

#### Pro Bundle, includes:

- PJSB Single items
- (15) Disposable Liners (Standard or XL size)
- (50) Air Filters & Vent Attachment
- (1) 15' Ducting & Duct Reducer
- XL size: PJSB XL Extension Set

#### Blower Bundle, includes:

- Pro Bundle items
- Allegro Centrifugal Blower

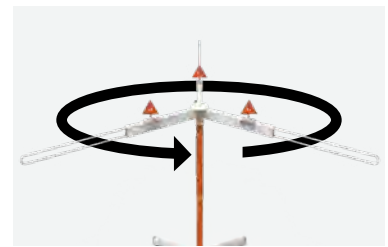


# SprayTwirly™

## Rotating Spray Stand



Horizontal Spraying



360° Rotating

### Other notable features:

- Quick & easy assembly
- Disassembles for storage or transport

### Most often purchased with:

ProDryingRack KD, ProDryingRack TT,  
& Portable Jobsite Spray Booth

SPTY - MSRP: \$215

Learn more  
about SPTY

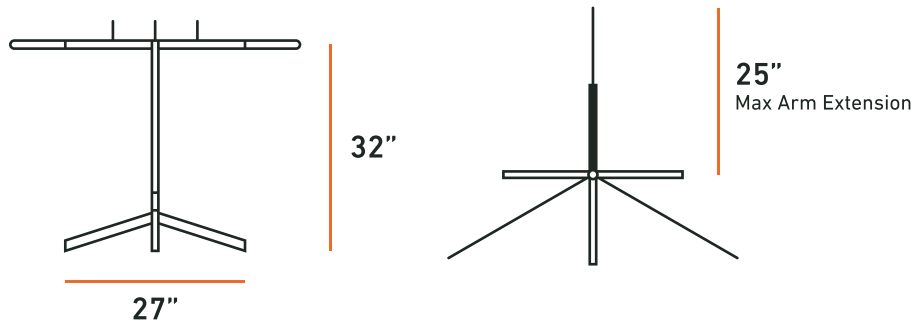


## Get 360° Rotation for a Precision Finish

This versatile rotating spray stand features adjustable paint pyramids and retractable arms to accommodate various material sizes. Spray five sides of a cabinet door or part with ease, all while standing in one spot. The low-profile rotating top minimizes overspray and allows for easy lifting of wet parts from underneath. Designed for small spaces, it has a minimal footprint and collapses quickly for convenient storage or transport.

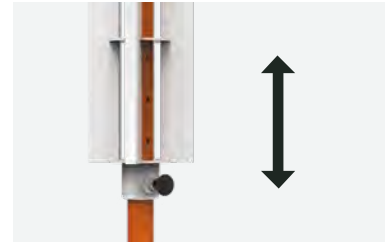
### What's included:

- (1) Rotating Top
- (1) Collapsible Stand Post
- (1) Primary Base
- (3) Retractable Arms
- (3) Spikes & (3) Paint Pyramids
- Hardware



# SprayTwirlyHD

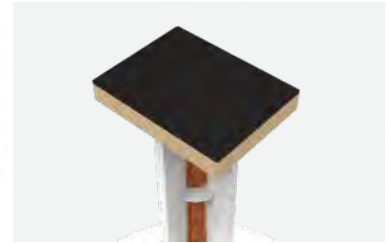
Height-Adjustable Rotating Spray Stand



Adjustable Height



Hands-free Rotation



Customizable System

#### Other notable features:

- Quick & easy assembly
- Heavy-duty build

**NEW FOR 2025**

#### Most often purchased with:

ProDryingRack KD, ProDryingRack TT,  
& Portable Jobsite Spray Booth

SPTYHD - MSRP: \$460

Learn more  
about SPTYHD

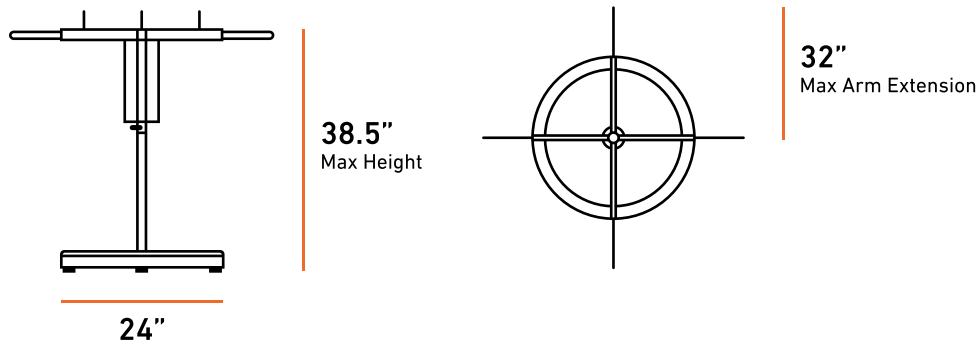


## Hands-Free Rotation for a Precision Painting

The SprayTwirlyHD is a professional-grade rotating spray table designed to simplify painting and finishing tasks. Its foot-operated turntable provides 360° rotation for complete control and accuracy, all while keeping your hands free. Adjustable height from 32" to 38" accommodates various project needs, while retractable arms and magnetic spikes make it versatile enough for cabinet doors, drawer fronts, and other parts. Made from durable powder-coated steel, it's built to last, with tool-free assembly and mobility making it essential for any workshop or jobsite.

### What's included:

- (1) Rotating Base with Hardware
- (1) Height-Adjustable Rotating Top with Spring-loaded Knob
- (1) Collapsible Stand Post
- (4) Retractable Arms
- (4) Spikes & (4) Paint Pyramids
- (1) MDF Table Top
- Hardware



# Accessories





# SH.F. SPI

---

Maximize the potential of your setup with our range of purpose-built accessories, designed to complement and enhance your PaintLine tools. From hinge hooks to ventilation components and extra carry bags, these high-quality additions offer the functionality and customization you need to keep your operation running smoothly and achieve outstanding results.



# H HOOK

# Drying & Material Racks

## PDRKD

PDRKD.SHF.SPIKES	PDRKD Shelf Spikes (Set of 150)	\$22
PDRKD.SHF.FELTS	PDRKD Shelf Felts (Set of 150)	\$30
PDRKD.SHLF	PDRKD Replacement Shelves (Set of 15)	\$93
PDRWM	ProDryingRack Wall Mount	\$165
PDR.PU.WHEELS	Caster Wheels (Set of 4)	\$37

---

## PDRKD

PDRTT.BASE	ProDryingRack TT (PDRTT) Base with Wheels	\$90
------------	---	------

---

## PDREX & Plus Series

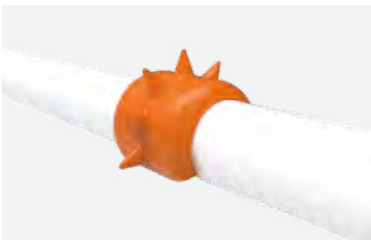
PDREX.TLOCK	PDREX Shelf Locks (Set of 30)	\$36
PDREX.SLEEVES	PDREX Shelf Sleeves (Set of 30)	\$97
PDR.PU.WHEELS	Caster Wheels (Set of 4)	\$37

---

## PDRTR

PDRTR.HT	ProDryingRack Transport (PDRTR) Handtruck	\$245
----------	---	-------

---



PDRKD Shelf Spikes



PDRTT Base



PDRTR Handtruck

# Spray & Dry Series

## PSDR

PSDR.A	PSDR Bases (Set of 4)	\$105
PSDR.B	PSDR 66" Poles (Set of 4)	\$101
PSDR.B.5	PSDR 33" Poles (Set of 4)	\$49
PSDR.C	PSDR 48" Pole (Single)	\$76
PSDR.E	PSDR Double Joints (Set of 4)	\$25
PSDR.EFC	PSDR Standard EFC Hinge Hooks (Set of 100)	\$164
PSDR.H	PSDR Standard Hangers (Set of 50)	\$153
PSDR.HHOOK	PSDR Premium Hinge Hooks (Set of 100)	\$152
PSDR.S	PSDR 2nd Tier Connectors (Set of 2 Pairs)	\$41
PSDR.SP	PSDR Spinner+	\$68
PSDR.SPT	PSDR Support Connectors (Set of 4)	\$32
PSDR.U	PSDR 12" Height Extenders (Set of 2)	\$34
PSDR.W	PSDR Wave Hangers (Set of 20)	\$203

---

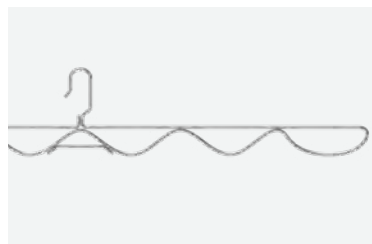
## PSDRID

PSDRID.DS	PSDRID 10-Door Add-On Package	\$126
PSDRID.OSG	PSDRID Overspray Guards (Set of 10)	\$75
PSDRID.PB	PSDRID Plastic Door Base Supports (Set of 20)	\$98

---



PSDR Hinge Hooks



PSDR Wave Hangers



PSDRID Door Base Supports

# Spray Stations

## PJSB & PJSB XL

PJSB.BLOWER	PJSB Blower	\$1,230
PJSB.DUCT	PJSB Ducting (15 ft)	\$85
PJSB.EXT	Portable Jobsite Spray Booth (PJSB) XL Extension	\$58
PJSB.FLTR	PJSB Air Filters (Box of 50)	\$156
PJSB.LINER	PJSB Disposable Liners (3 pack)	\$80
PJSB.MSTR	PJSB Disposable Liners (24 pack)	\$472
PJSB.REDUCER	PJSB Duct Reducer	\$58
PJSB.VENT	PJSB Exhaust Vent Attachment	\$114
PJSB.XL.LINER	PJSB Disposable Liners XL (3 pack)	\$102
PJSB.XL.LINER.MSTR	PJSB Disposable Liners XL (24 pack)	\$578

---

## SPTY & SPTYHD

SPTY.SPK	SprayTwirly Spikes w/ Paint Pyramids (Set of 3)	\$30
----------	---	------

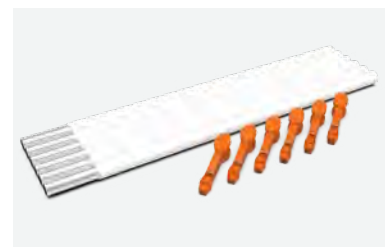
---



PJSB Disposable Liners



PJSB Blower



PJSB Extension Set

# Real Pros. Real Results.



From space-saving solutions to boosting productivity, here's how Paintline tools are transforming workshops and workflows for professionals everywhere.



## Pretty much perfect!!

Works exactly, if not better, than expected. Well balanced and heavy duty. Handles a full kitchen worth of cabinet doors no problem.

**REX SNYDER, PDRKD OWNER**



These are just fantastic. I have been using homemade racks for 5+ years and these are just such a huge improvement! No marks, just enough room to get your hands between doors, and super sturdy. Fits most doors.

**JACOB ELLIS, PDRTT OWNER**



Absolutely amazing being able to spray both sides has increased my productivity and finish quality, no more flipping doors over and worrying about leaving marks on the previously sprayed side. I can't wait to post pics of the finished product.

**PHILLIP BANKS, PSDR OWNER**

# PaintLine™

## Let's Connect & Create

Discover tools, tips, and a community that brings your projects to life. Follow [@PaintLineCo](#) and tag [#PaintLine](#) to share your journey.



→ CATALOG: 01

Q1 2025



### New products available now:

Pro Face Frame & Door Mover (PFFDM)  
SprayTwirlyHD (SPTYHD)

[PaintLine.com](#)

